

# INSTRUCTION MANUAL



## KEPCO

### CA-19

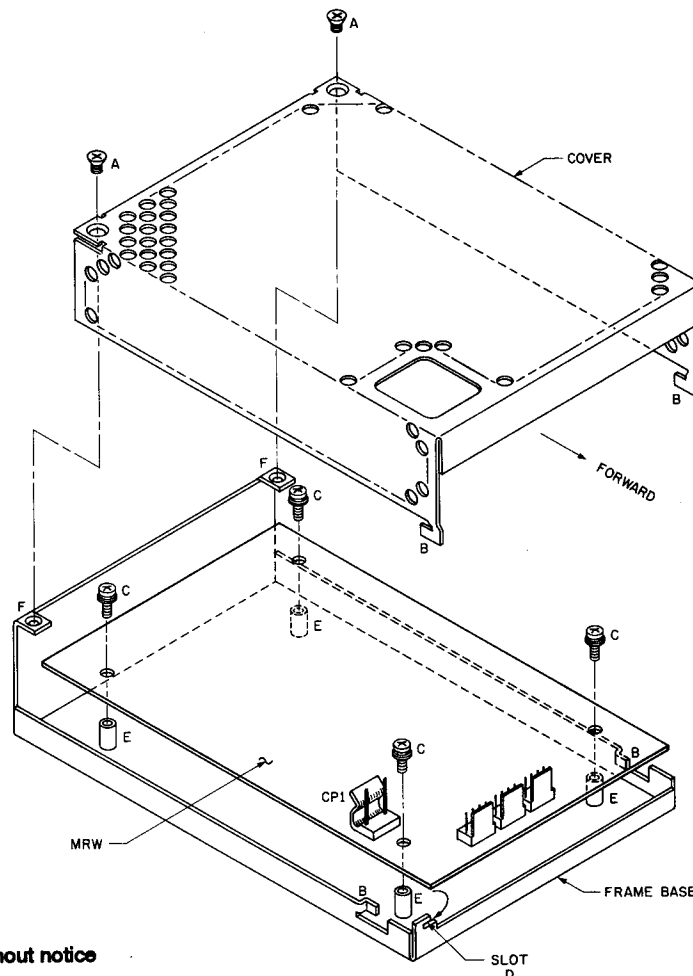
COVER

## ENCLOSURES AND HARDWARE SYSTEMS

**DESCRIPTION.** The Kepco Model CA-19 Cover (see Figure below) is supplied for use with Kepco MRW 150KV Series Power Supplies. This easily installed, two-part steel cover is an option designed for shielding and protection. Required installation hardware is provided.

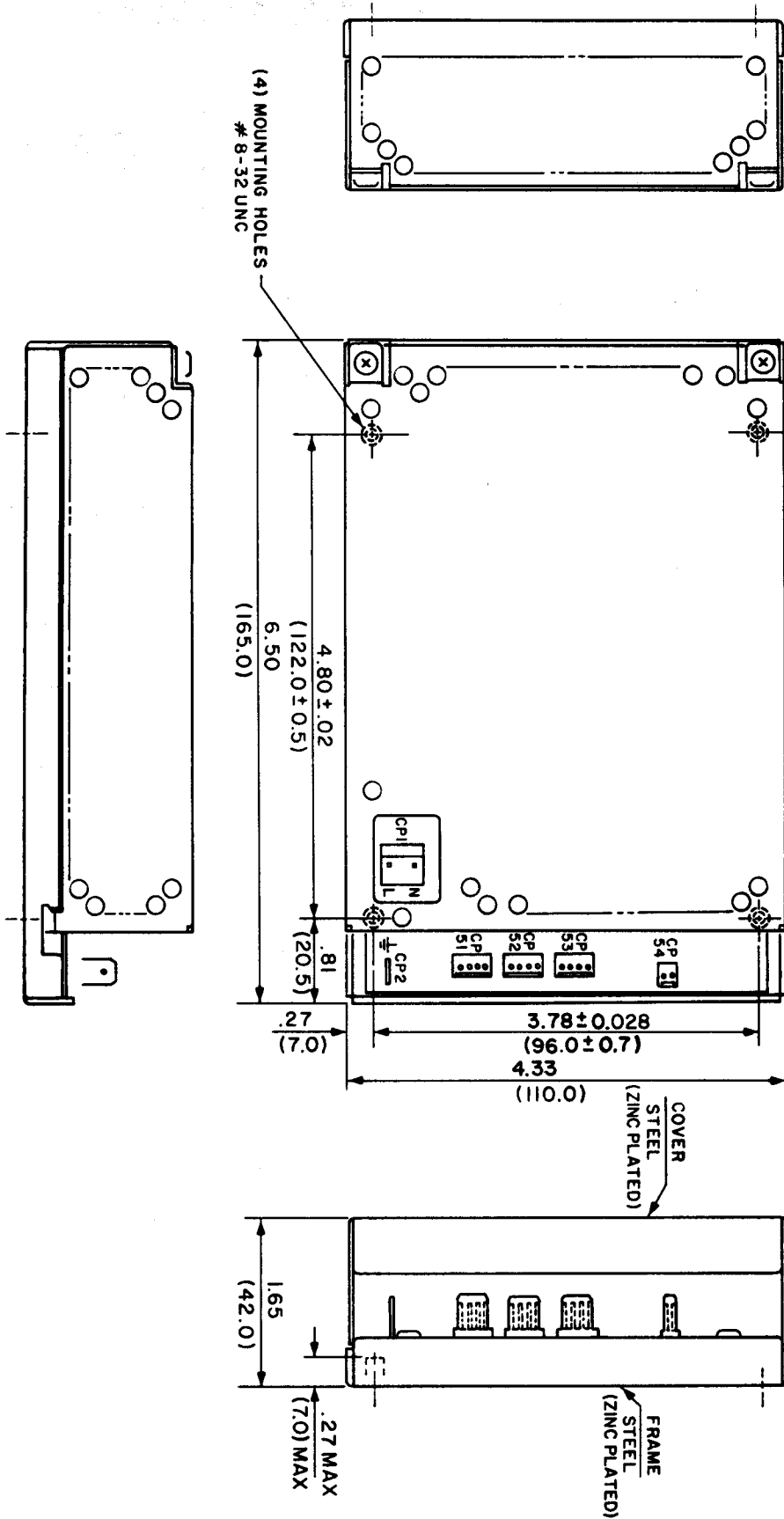
### INSTALLATION:

- 1) Remove cover from frame base by removing tape (not shown), disengaging tabs marked (B), and sliding cover forward.
  - 2) Remove and retain hardware from poly bag (not shown) taped to frame base.
  - 3) Position MRW 150KV Power Supply over the four threaded spacers on the frame base marked (E), as indicated.
  - 4) Insert the Model MRW 150KV into the slot marked (D) at one side of the frame base. When the MRW card is properly inserted into this slot the spacers marked (E) will be aligned with the mounting holes of the MRW 150KV.
  - 5) Fasten MRW 150KV Power Supply to frame base with four M3 X 8 binding head Phillips screws (P/N 101-0434) marked (C), and four #4 lockwashers (P/N 103-0014) marked (F).
  - 6) Drop cover in place by engaging tabs marked (B) and sliding cover backward.
  - 7) Attach frame base to cover with two M3 x 4.5mm flat head Phillips screws (P/N 101-0435) marked (A).
- Connections to CP1 is via cutout on cover top.



COVER INSTALLATION

- NOTES :**
1. DIMENSIONS IN PARENTHESIS ARE IN MILLIMETERS.
  2. SCREWS FOR 8-32 MOUNTING HOLES NOT TO BE SCREWED IN MORE THAN .27 (7.0) FROM FRAME SURFACE.
  3.  $\pm 0.04$  ( $\pm 1$ ) TOLERANCE UNLESS OTHERWISE SPECIFIED.



MECHANICAL OUTLINE DRAWING